

# AS-6000

## ADVANCED CONDITION MONITORING SYSTEM



### FEATURES

- Advanced Machine Analysis
- Powerful Transient Data Collection
- Seamless Plant Integration
- Built-In Data Recorder

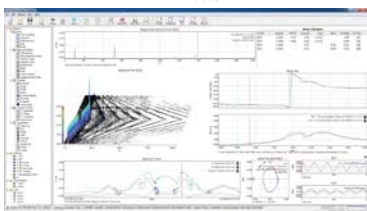
# AS-6000

## ADVANCED CONDITION MONITORING SYSTEM

SUPPORT MULTIPLE PLANT PROTOCOLS AND INTERFACES

OSI PI Historian, InStep eDNA Historian,  
Modbus TCP, SQL, Email

REAL-TIME ANALYSIS SOFTWARE



AS-6000 CONFIGURATION SOFTWARE



LEVERAGE OFF-THE-SHELF POWER SUPPLIES

Normal +24Vdc Power  
(+18Vdc to +30Vdc Range)



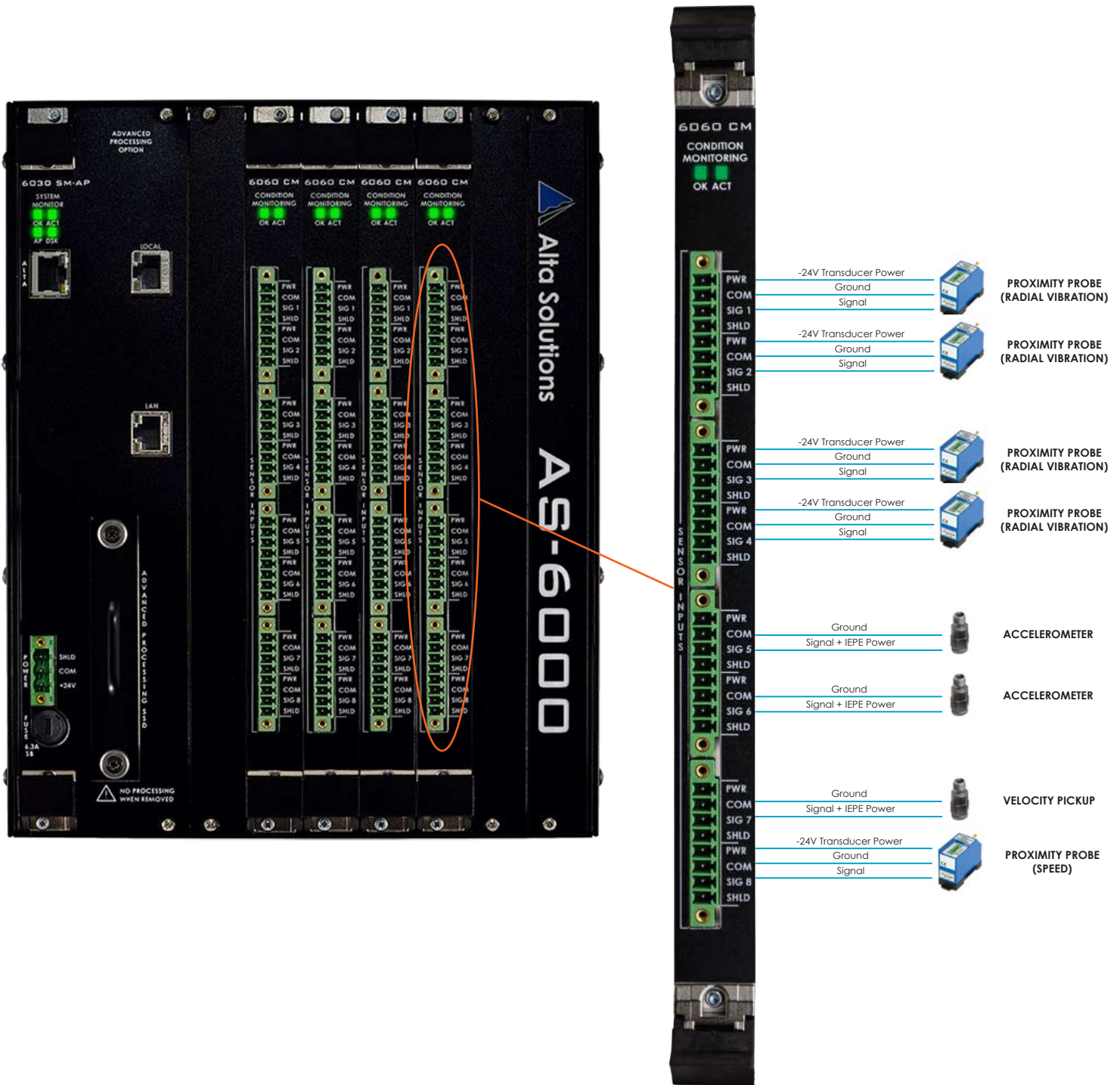
BUILT-IN DATA RECORDER

Records Gap-Free Data Stream  
of Machinery Events



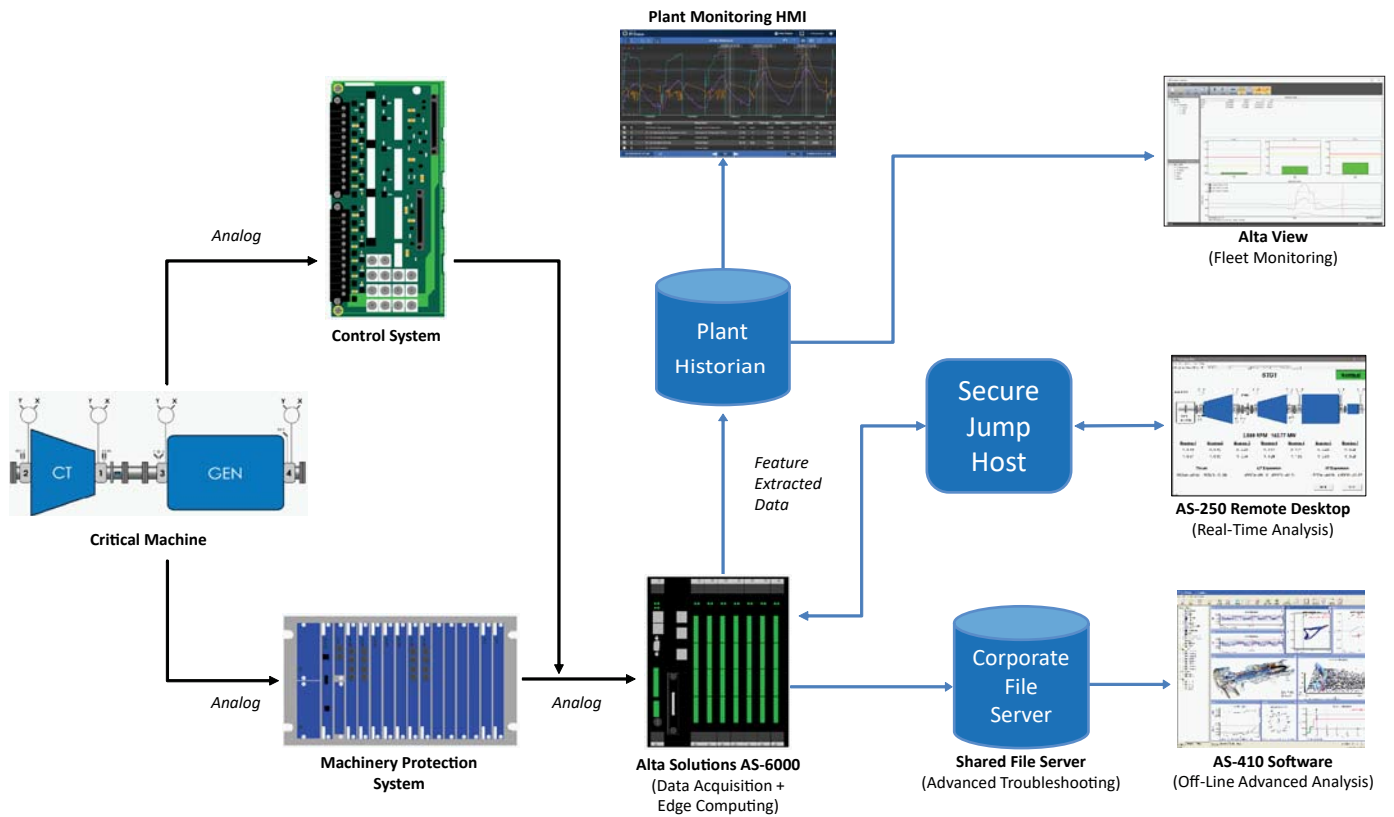
# AS-6000

## ADVANCED CONDITION MONITORING SYSTEM



# AS-6000

## ADVANCED CONDITION MONITORING SYSTEM



Contact Alta Solutions for the latest specifications and ordering information.



### Alta Solutions Incorporated

12580 Stowe Drive Poway, CA 92064, USA

Toll-Free Phone: (877) 258-2765

Email: [sales@altasol.com](mailto:sales@altasol.com), Web Site: [www.altasol.com](http://www.altasol.com)

